

100-GBPS MULTILAYER ETHERNET SWITCH WITH TABLE EXPANSION

FEATURES

- Sixth generation of Broadcom’s Switch Technology, supporting switching and routing at L2, L3, and L4
- 48 Ethernet ports, 10/100/1000 Mbit operation
- Non-blocking architecture, line rate for all packet sizes
- Purpose-built for IPv6 networks
- External TCAM allowing L2, L3, and ACL expansion
- Metro ready: comprehensive MPLS tunneling engine (support for L2/3 VPNs)
- Carrier-class 802.1ad support, with expanded support for multi-tag transformations
- Support for large L2 VPNs and L3 VPNs
- Enhanced on-chip packet buffer optimized for burst absorption and multicast at low latency
- Multistage classification engine for per-flow or user group security and QoS
- Broadcom’s exclusive microflow-based policing
- Weighted random early detection congestion avoidance
- Intelligent scheduling (SP, WRR, DFQ)
- Flow Control: Link pause, per CoS priority, and Service Aware Flow control mechanisms
- Seamless connection to XGS Switch Fabric and SBX Metro/Core Switch Fabric solutions
- PCI Express®, SGMII, and PCI options for host processor interconnect

BENEFITS

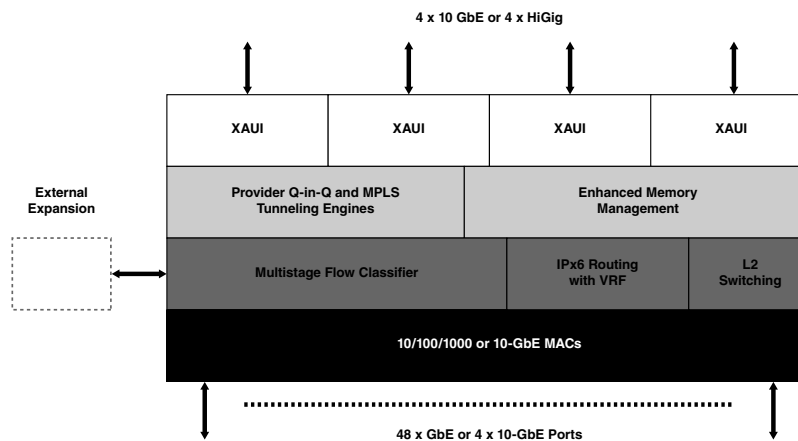
- Highest density solution for Enterprise Chassis, Core Stackable, and Metro Edge Applications.
- Unprecedented scalability provided with XGS economics.
- Highly advanced line-rate packet buffering, delivering voice, video, and multiclass data service guarantees.
- Advanced Q-in-Q and MPLS tunneling to support the latest carrier services.
- Support for next-generation IPv6 networks using full 128-bit address space.

Table Expansion Capacity	
Service	Entries
L2	>256 K
L3	>512 K
Flow/ACL	>128 K

Wide Range of Flexible Port Configurations

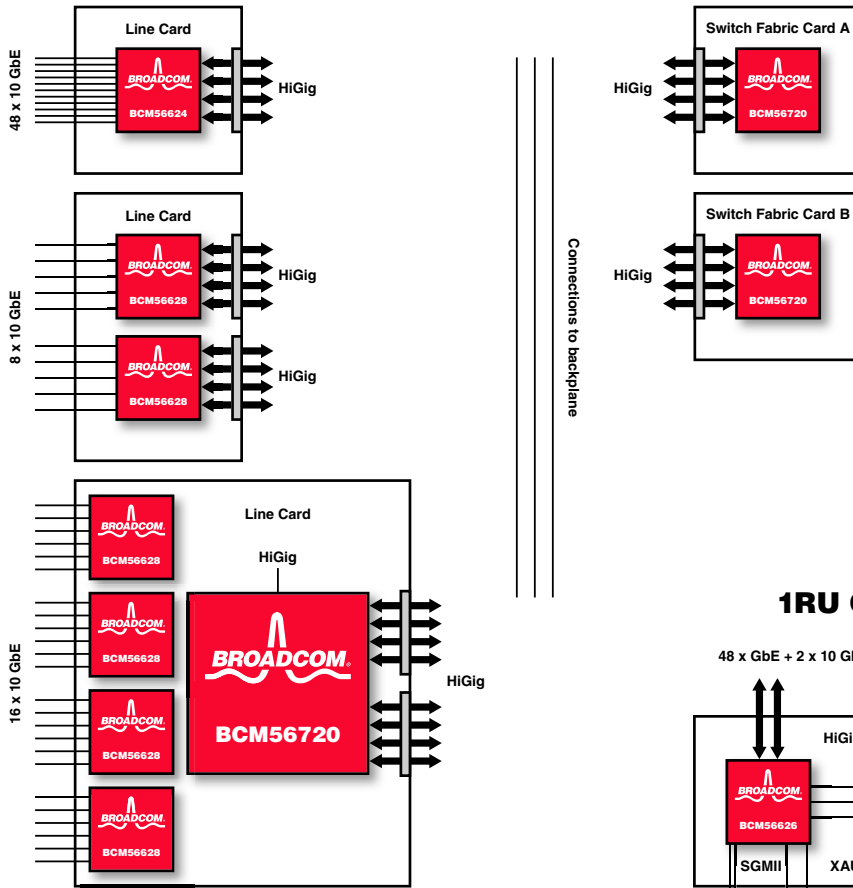
Part Number	10/100/1000 ports	XAUI / HiGig™ ports
BCM56624	48 x GbE	4 x HiGig2™ (any can be 10 GbE)
BCM56626	24 x GbE	6 x HiGig2 (any can be 10 GbE)
BCM56628		8 x HiGig2 (any can be 10 GbE)

BCM56620 Reference Design

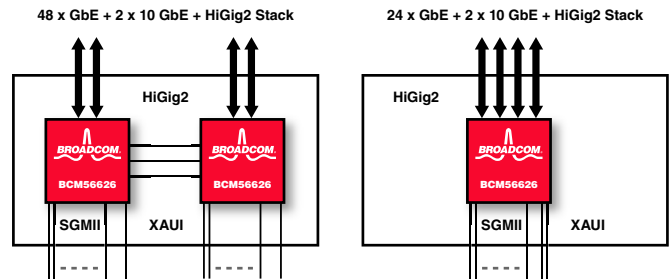


TECHNICAL SPECIFICATIONS

Enterprise Chassis



1RU Core Enterprise Stackable



Broadcom®, the pulse logo, and Connecting everything® are trademarks of Broadcom Corporation and/or its subsidiaries in the United States and certain other countries. All other trademarks mentioned are the property of their respective owners.

Connecting
everything®



BROADCOM CORPORATION
16215 Alton Parkway, P.O. Box 57013
Irvine, California 92619-7013

© 2007 by BROADCOM CORPORATION. All rights reserved.

56620-PB00-R 03/26/07

Phone: 949-450-8700
Fax: 949-926-5203
E-mail: info@broadcom.com
Web: www.broadcom.com